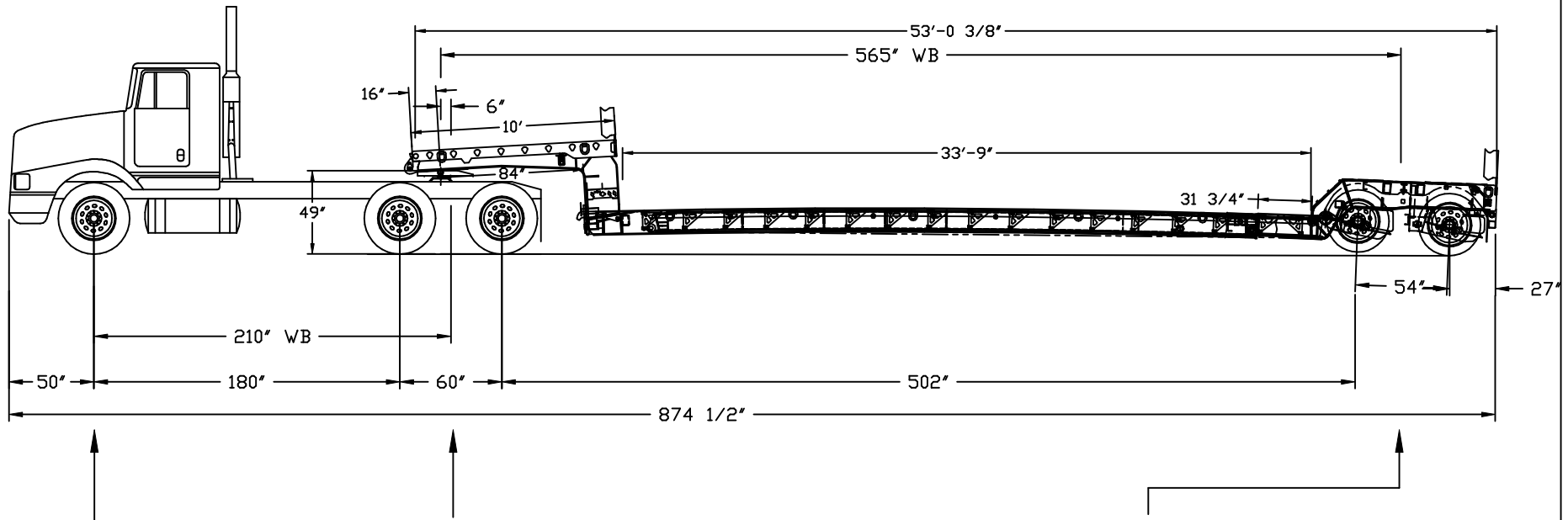


TELESCOPIC, LOW BED 35 TONS
DAILLEY FREIGHT SERVICES

PARADESIGN



5500 KG	18000 KG	18000 KG	41500 KG	QUEBEC
5500 KG	18000 KG	18000 KG	41500 KG	ONTARIO
5500 KG	17000 KG	17000 KG	39500 KG	WESTERN CAN.
12000 LBS	34000 LBS	34000 LBS	80000 LBS	USA

-THE INFORMATIONS MENTIONED IS THE MANAC'S UNDER-
STANDING OF THE VEHICLE WEIGHTS AND DIMENSIONS
REGULATIONS FOR THE GIVEN STATES, PROVINCES OR
COUNTRIES. IT IS THE CUSTOMERS RESPONSABILITY
TO VERIFY IT.

- HERE ARE THE PRELIMINARY DRAWINGS BEING RELEASED
TO PRODUCTION. ANY MAJOR CHANGES, IF REQUIRED,
WILL AFFECT THE ORIGINAL DELIVERY DATE.

manac



APPROBATION

SALESMAN _____

CUSTOMER _____

manac

DANY VEILLEUX ING.
DESSIN: 225790-V1
DOSSIER 66D: N/A
DOSSIER REF: 225788
DATE: 29 MARS 2023