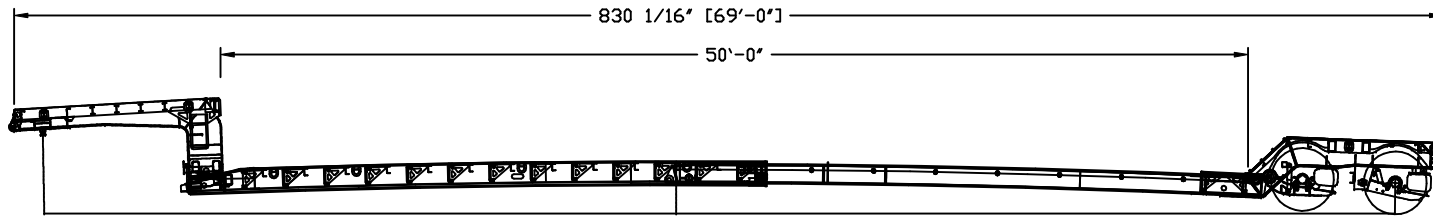


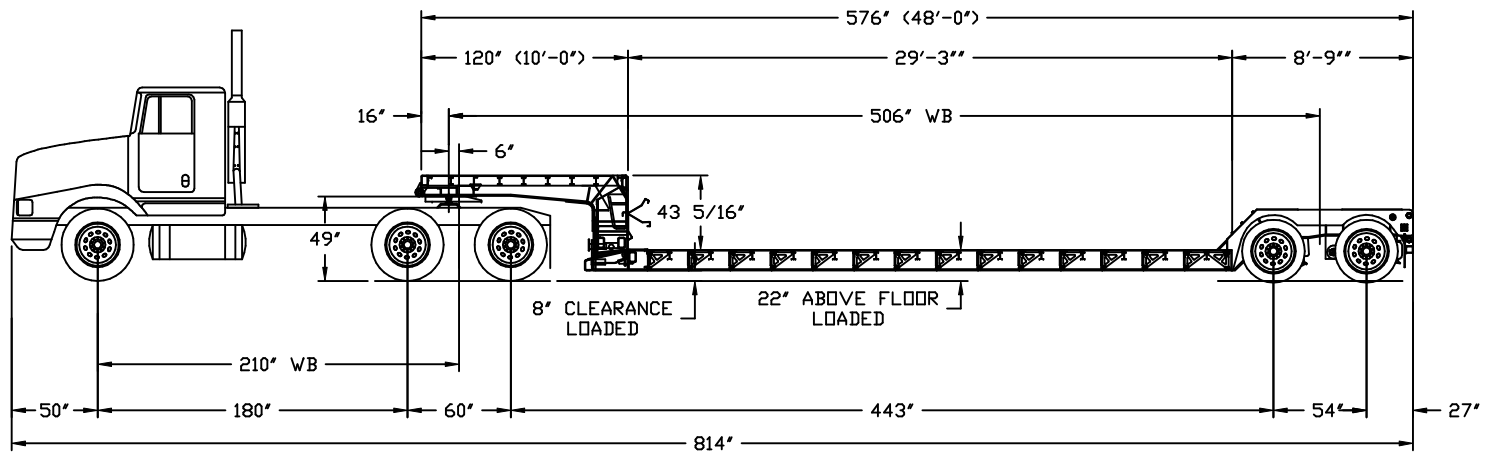
MECHANICAL DETACHABLE EXTENDABLE 35 TONS
DAILLEY FREIGHT SERVICES

REF: 201094

PARADESIGN



*** MAXIMUM CAPACITY IS 70 000 LBS / 12 FT CLOSED **



-THE INFORMATIONS MENTIONED IS THE MANAC'S UNDERSTANDING OF THE VEHICLE WEIGHTS AND DIMENSIONS REGULATIONS FOR THE GIVEN STATES, PROVINCES OR COUNTRIES. IT IS THE CUSTOMERS RESPONSABILITY TO VERIFY IT.

- HERE ARE THE PREMILINARY DRAWINGS BEING RELEASED TO PRODUCTION. ANY MAJOR CHANGES, IF REQUIRED, WILL AFFECT THE ORIGINAL DELIVERY DATE.

MANAC



APPROBATION

SALESMAN _____

CUSTOMER _____

MANAC
STEPHANE PARENT
DESSIN: 225786-V1
DATE: 09-03-23