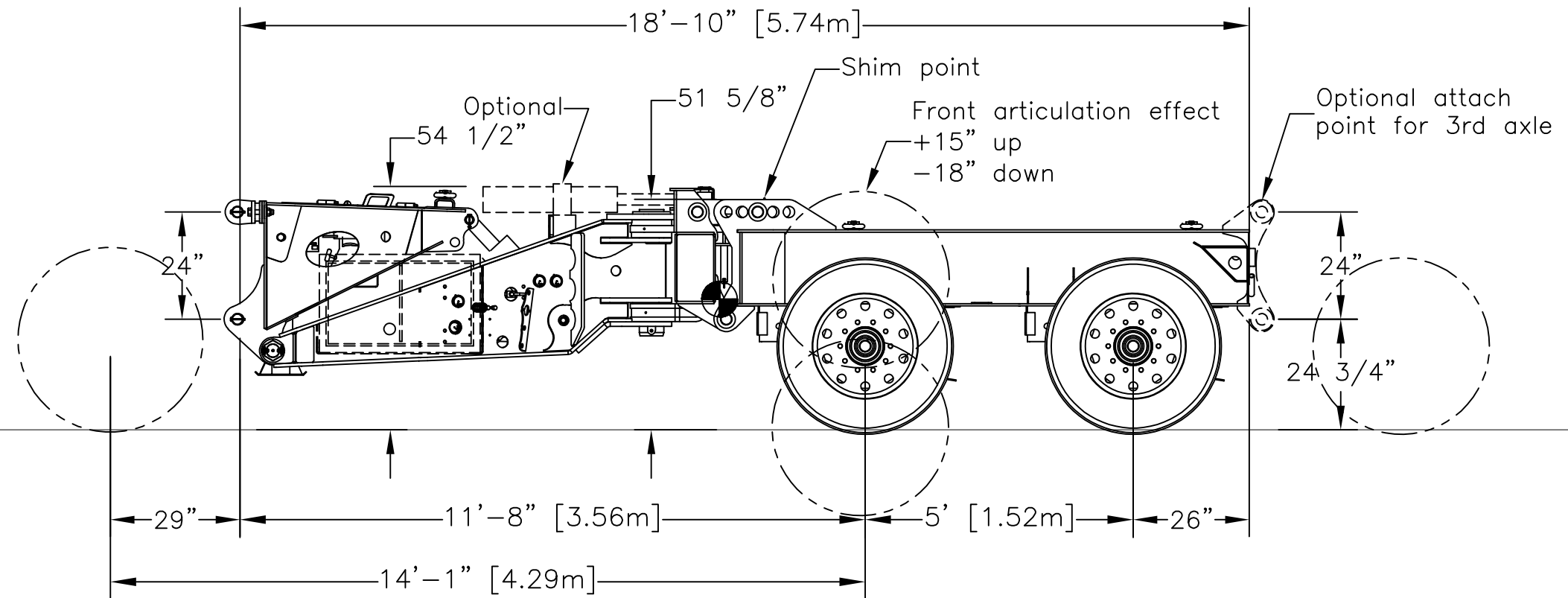
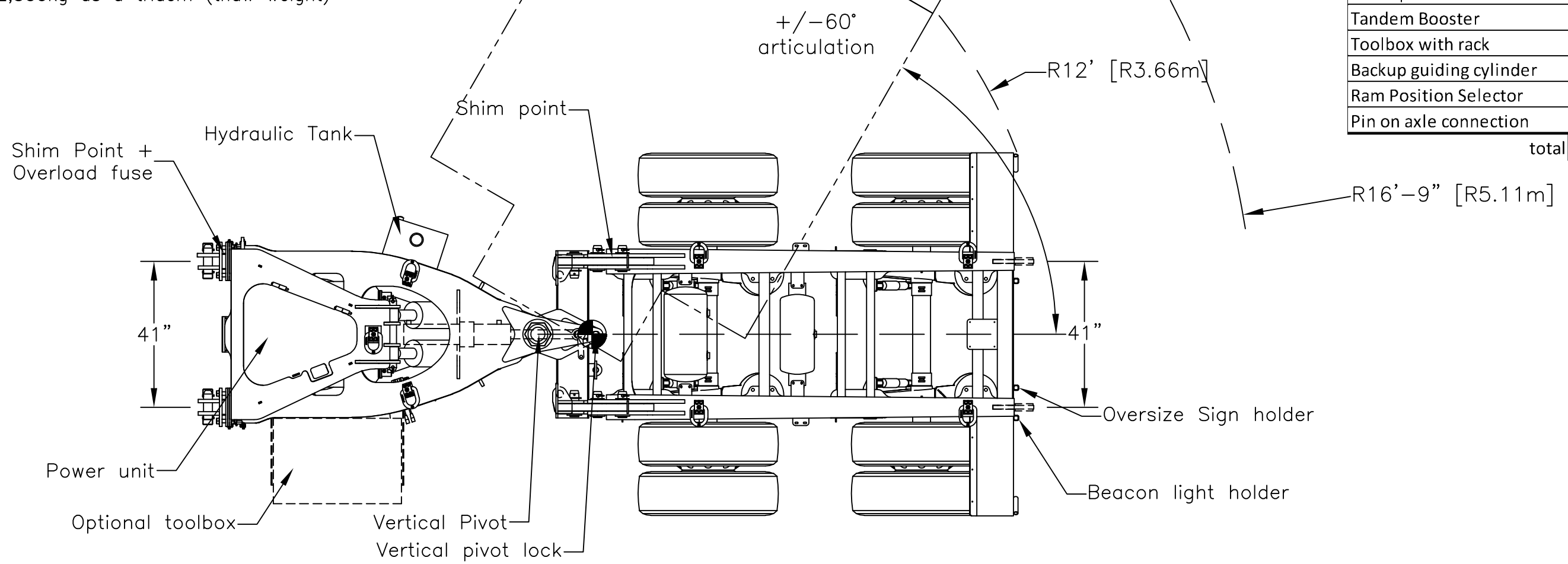


Capacity:
 46,000lbs 20,865kg as a tandem
 49,600lbs 22,500kg as a tridem (thaw weight)

| Weights +/-3% | | |
|-------------------------|---------------|--------------|
| Description | kg | lbs |
| Tandem Booster | 4387.5 | 9673 |
| Toolbox with rack | 54.4 | 120 |
| Backup guiding cylinder | 128.3 | 283 |
| Ram Position Selector | 15.9 | 35 |
| Pin on axle connection | 43.6 | 96 |
| total | 4629.7 | 10207 |



- Notes:
1. Head unit tilt: $+6^\circ$ up and -8° down from level
 2. Optional equipment shown
 3. Auto level system available
 4. 2X main ram setting for thaw and single axle use