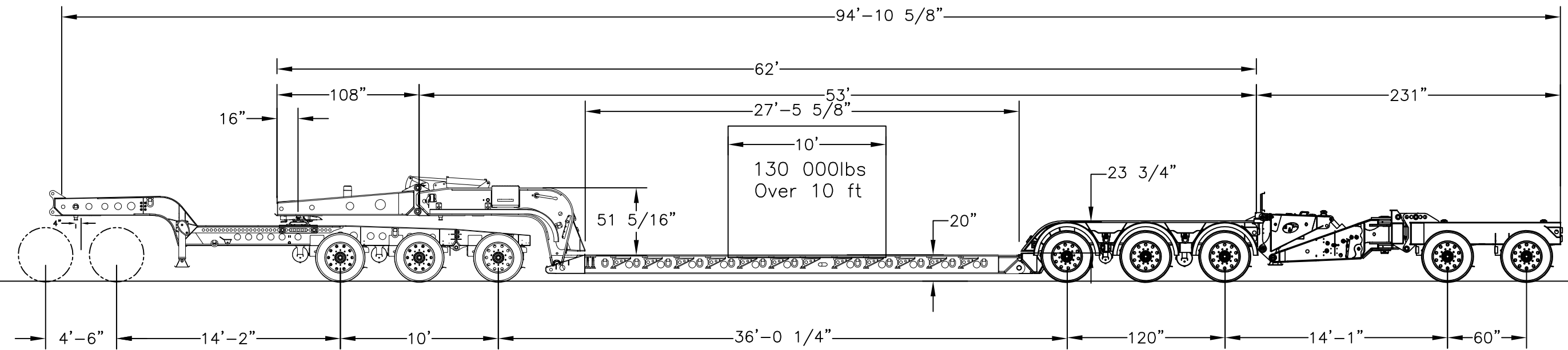
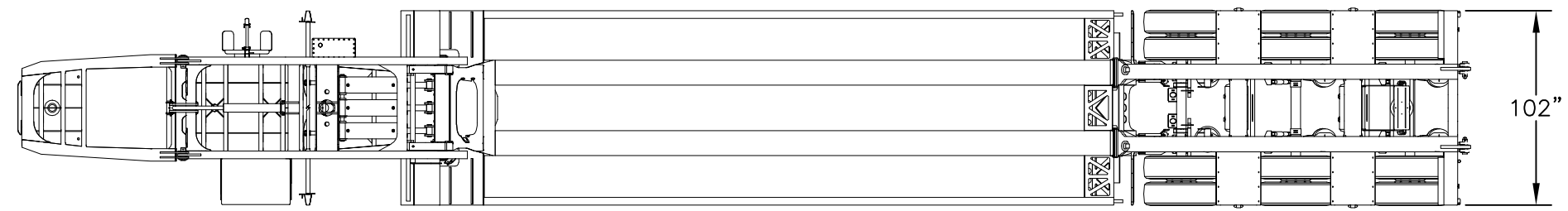


Flat Deck Combination Weights +/-3%		
Description	kg	lbs
Tandem jeep	3606	7950
Pin on axle	1046	2305
Gooseneck extension	512	1128
gooseneck	2888	6366
Deck	5824	12840
Tridem Bogey	5176	11411
Tandem booster	4388	9673
total	23440	51673



- Notes:
1. Multiple deck styles and widths available
 2. 130 000 lbs capacity @ 20 000lbs/axle
 3. Deck inserts available
 4. Multiple bogey widths available
 5. Optional equipment shown

TEMISKO (1983) INC.
 CP-PO BOX 460, NOTRE-DAME-DU-NORD, PQ, J0Z 3B0

LAYOUT
 65T Low Boy

Fichier :
 DESS.: PC Date: 17-04-27

Work Order # :
 TM0025